

OR-M 565 / 565s

TECHNICAL DATA SHEET

Fully automatic strapping machine



TECHNICAL DATA

Heat weld sealing			
Preheating time	30 s		
Electrical supply	Single phase AC 230 V / 50 Hz, 1PNE and 115 V / 60 Hz, 1PNE Tolerance -15%/+20% Mains fuse 10 AT		
Performance	at 225VAC		
	Modus	Modus	Modus
	Sleep	Stand-by	Oper. Max.
Watt	26 W	63 W	446 W
Volt Ampere	38 VA	64 VA	451 VA
Reactive Power	27 VAR	9 VAR	94 VAR
Power Factor	PF 0,60	PF 0,88	PF 0,98
COS Phi	0,69	0,99	0,99
Ampere	0,19 A	0,32 A	2,3 A
Room temperature	10 - 40°C		
Relative humidity	10 - 65%		
Cycles per minute up to* (without conveyor)	70/min.		
Working heights	see layout on page 4		
Machine weight	300 kg		
Color	Blue 1M4762		
IP- Protection level	without IP protection		
Packages	OR-M 565	OR-M 565s	
Width x height min.	100 x 100 mm	100 x 60 mm	
Width / height max., Arch dimension	./. 50 mm	./. 50mm	
Length min.	-- mm	-- mm	
Weight max.	35 kg	35 kg	
Plastic Strap (PP)			
Strap width	9 mm 12 mm		
Strap thickness	0,40 - 0,60 mm		
Strap coil, Ø inside/outside	200 mm / 430 mm		
Strap tension	9 mm	450 N	
	12 mm	450 N	

The polypropylene straps used for the respective applications must correspond with the strap specifications recommended!

*Performance: Depends on arch and package dimensions, conveyor speed, package distances and strap tension.

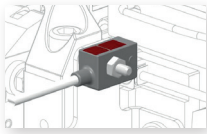
ARCH DIMENSION

Machines	Strap width	Arch dimension Width x Height	Strap tension
OR-M 565s	9 / 12 mm	300 x 600 mm	450 N
OR-M 565	9 / 12 mm	650 x 500 mm	450 N
	9 / 12 mm	650 x 850 mm	450 N
	12 mm	650 x 1550 mm	450 N
	9 / 12 mm	850 x 850 mm	450 N
	12 mm	850 x 1250 mm	450 N
	12 mm	850 x 1550 mm	450 N
	12 mm	850 x 2100 mm	450 N
	12 mm	1250 x 850 mm	450 N
	12 mm	1250 x 1250 mm	450 N

STANDARD EQUIPMENT

- Adjustable seal height
- Four castors with brakes
- Closed strap arch system
- Heat seal
- Automatic strap threading device
- Automatic strap end ejection
- Foot switch (with interface option: not included)
- Control panel with digital display
- Strap loop ejection for cycles without product (OR-M 565)
- Small pressure plate (OR-M 565s)
- Cycle counter
- Electrical supply cable, 5 m
- Dispenser, fitted on top side of machine
- Strap tension key «Soft»

OPTIONS



■ **Table photo eye**
For single, double or multiple strapping, adjustable via parameters



■ **Manual release**
Freely positionable, for activation of strapping manually



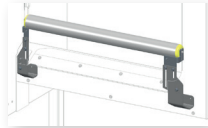
■ **Operator panel**
Freely positionable operator panel (magnetic foot) for optimum operating comfort



■ **Fixable feet, stainless steel**
The machine can be securely supported in the floor via the adjustable feet



■ **Foot switch**
Foot switch with safety hood



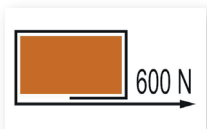
■ **Support roller**
For bridging the arch width between the conveyor systems, for arch width 650/850 mm



■ **Roller conveyor side seal machines**
Height adjustable, non-driven roller conveyor for side head machines, 650/850 mm wide



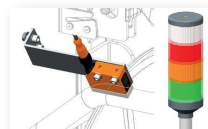
■ **Sealing height, side head machine**
Sealing height outside the standard range



■ **High strap tension 600 N**
For strap tension up to 600 N



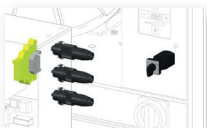
■ **Signal lamp 3 colors**
Visual information of the different machine states



■ **Strap end pre-warning**
When the roll diameter falls below the pre-set value, the white signal lamp is activated

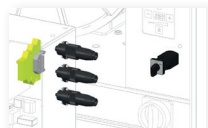


■ **External positioning control**
External control with 2 light barriers for packet positioning (with interface for conveying in and out), for single, double and multiple strapping.



■ **Interface (optional)**
For integration into existing production lines

- 4-pin AMP connector (3 pieces)
- All signals potential free
- Ready for operation signal
- General fault signal
- Strapping input signal



■ **Interface + high strap tension 600 N**
For integration into existing production lines

- 4-pin AMP connector (3 pieces)
- All signals potential free
- Ready for operation signal
- General fault signal
- Strapping input signal



■ **Interface plug**
Freely assignable adapter connector (10-pin Harting connector), for connecting the machine interface and the existing installation



■ **Special colour**
RAL types

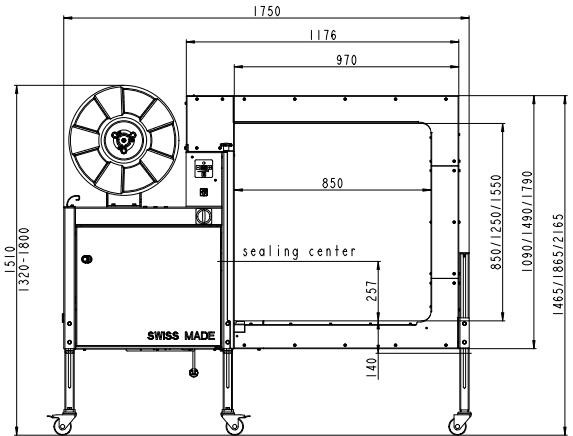
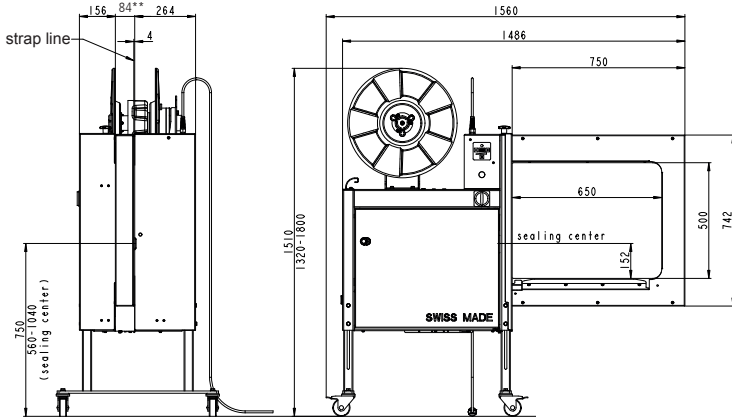
Signals:

■ **Strap end**
Signal via interface:
Strap dispenser empty

LAYOUT

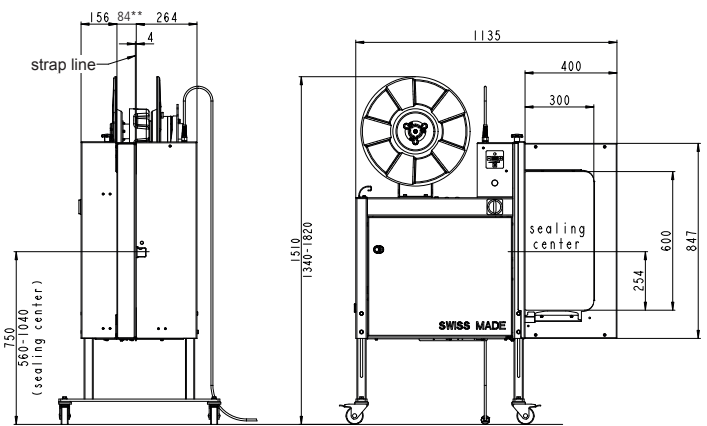
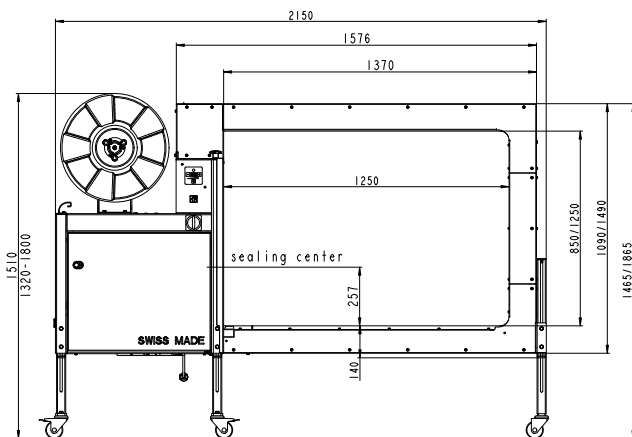
OR-M 565 (650 x 500mm)

OR-M 565 (850 x 850, 1250, 1550, 2100mm)



OR-M 565 (1250 x 850 mm)

OR-M 565s (300 x 600 mm)



08.2020